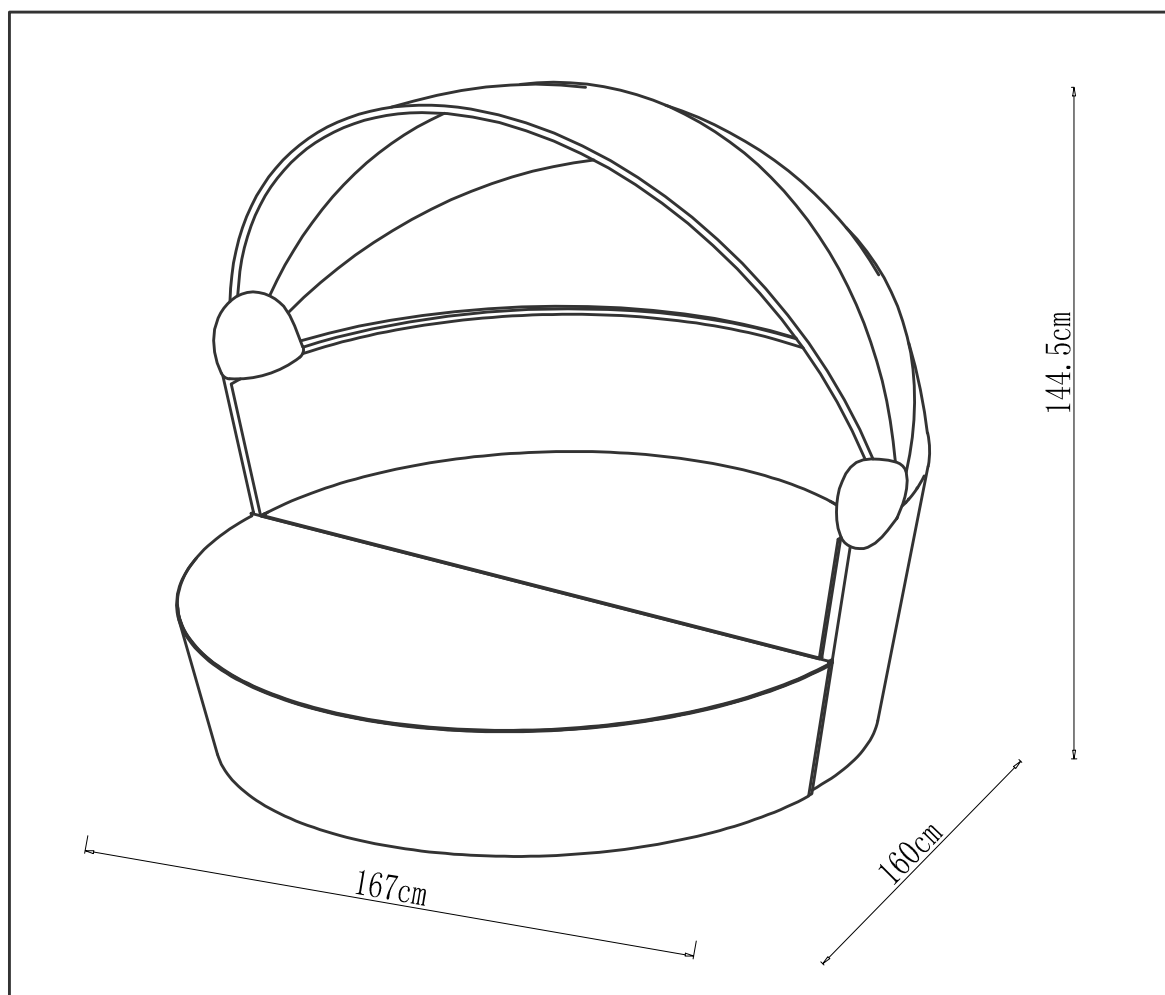




ASSEMBLY INSTRUCTION  
ST KILDA CANOPY DAYBED  
ITEM CODE - 65912

Imported by Amart Furniture Pty Ltd, Qld, Brisbane Australia .  
For any assistance with assembly or for missing parts please phone  
Amart Furniture , Customer Service Freecall 1800 351 084


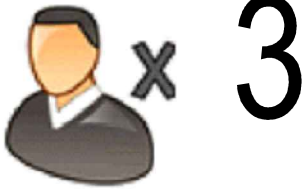


Imported by Amart Furniture Pty Ltd, Qld, Brisbane Australia .  
For any assistance with assembly or for missing parts please phone  
Amart Furniture, Customer Service Freecall 1800 351 084

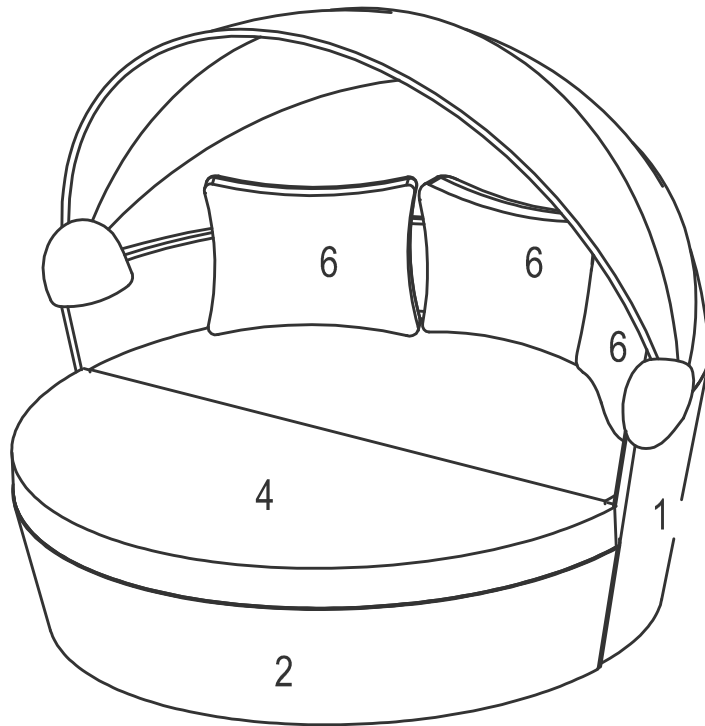
## PRE-ASSEMBLY PREPARATION

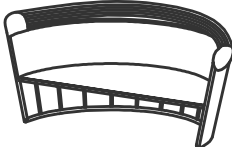

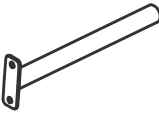

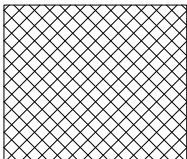

### Before you start:





1. Choose a clean, level, spacious assembly area. Avoid hard surfaces that may damage the product.
2. Take care when lifting. Product should be assembled as near as possible to the point of use.
3. Ensure that you have all required contents for complete assembly.
4. Always read the assembly instructions carefully before beginning assembly.
5. Keep all hardware parts and packaging out of reach of small children.
6. Do not over tighten the screws and bolts as this may damage the threads.


	
ALLOW 20 MINUTES	PEOPLE REQUIRED
ADDITIONAL TOOLS REQUIRED	

# PARTS LIST




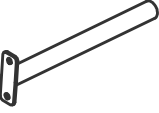


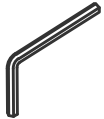
1 Half round bed		1PC	2 Footstool		1PC
3 Legs		2PCS	4 Cushion		1PC
5 Non-slip mat		2PCS	6 Back Cushion		3PCS

A. Bolt	B. Shim	C. Hexagon Key	D. U-shaped buckle
			
M6*15*2PCS	M6*2PCS	M6*1PC	2PCS

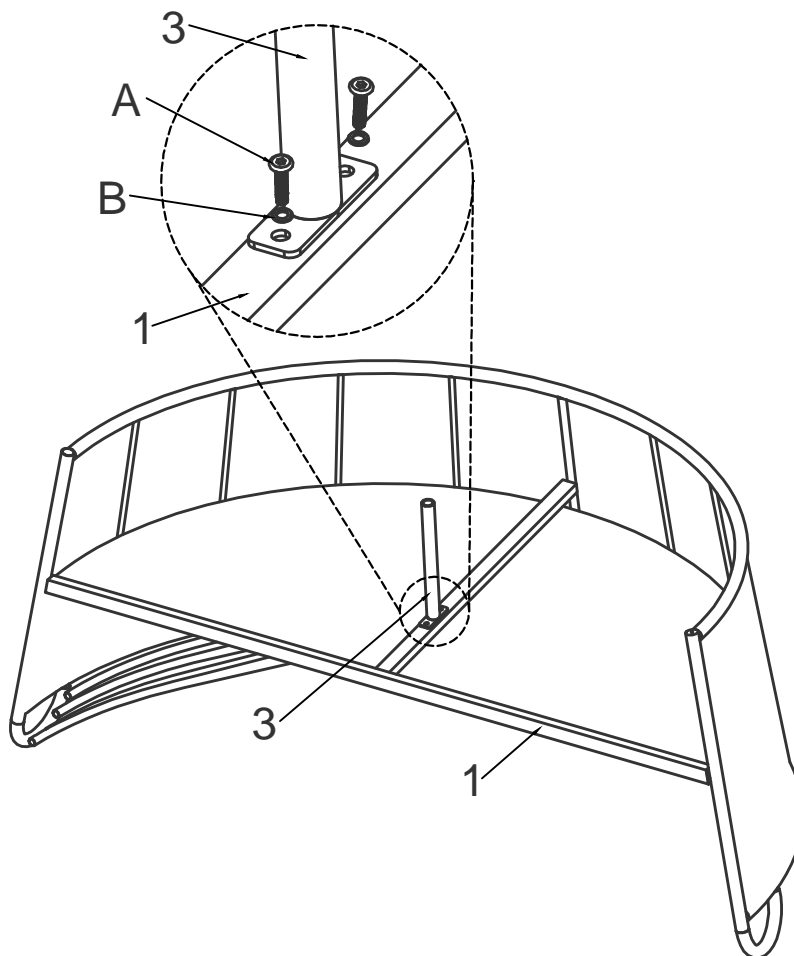
E. Non-slip mat

6PCS

# Step 1:

## ITEMS REQUIRED

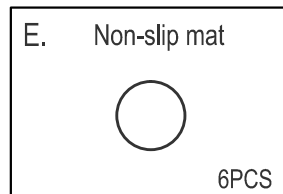
1. Half round bed 1PC 	3. Legs 1PC 	
A. Bolt  M6*15*2PCS	B. Shim  M6*2PCS	C. Hexagon Key  M6*1PC

- Attach legs (3) to half round bed (1) using bolt (A) with shim (B) .
- Tighten with hexagon key (C) .

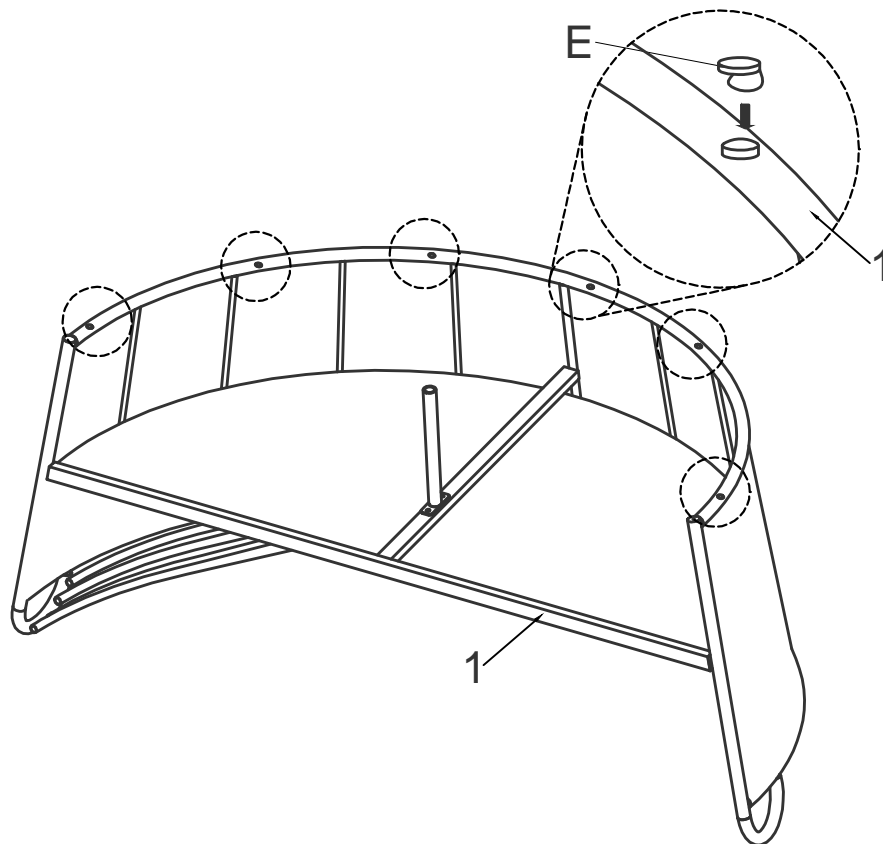


## Step 2:

### ITEMS REQUIRED

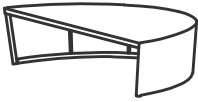
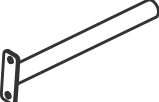


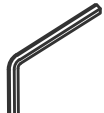


- Attach the non-slip mat (E) under the adjusting knob.

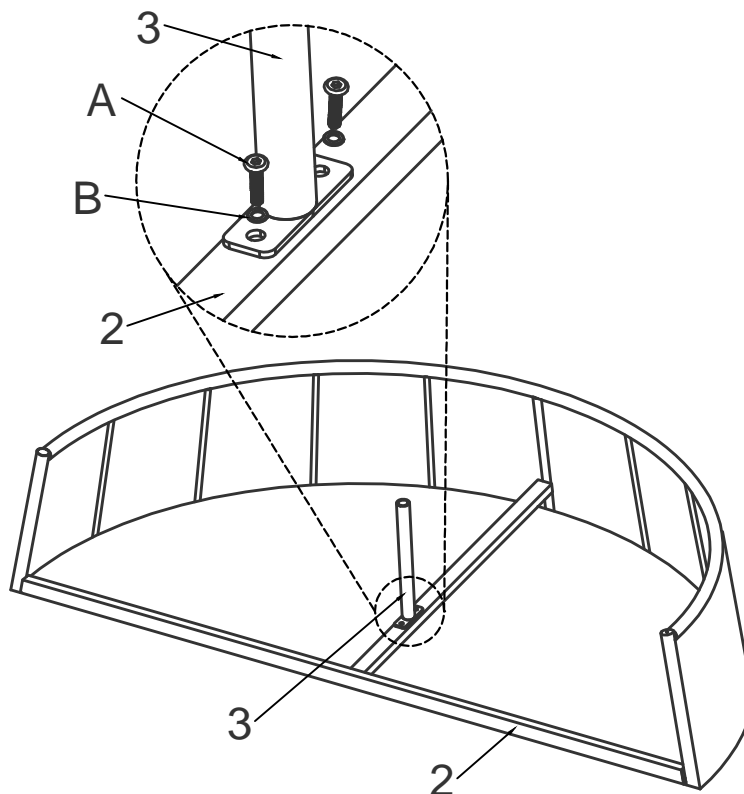


# Step 3:

## ITEMS REQUIRED

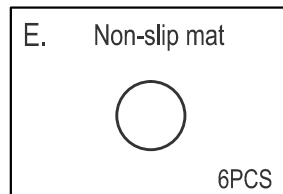
2. Footstool 1PC 	3. Legs 1PC 	
A. Bolt  M6*15*2PCS	B. Shim  M6*2PCS	C. Hexagon Key  M6*1PC

- Attach legs (3) to footstool (2) using bolt (A) with shim (B) .
- Tighten with hexagon key (C) .

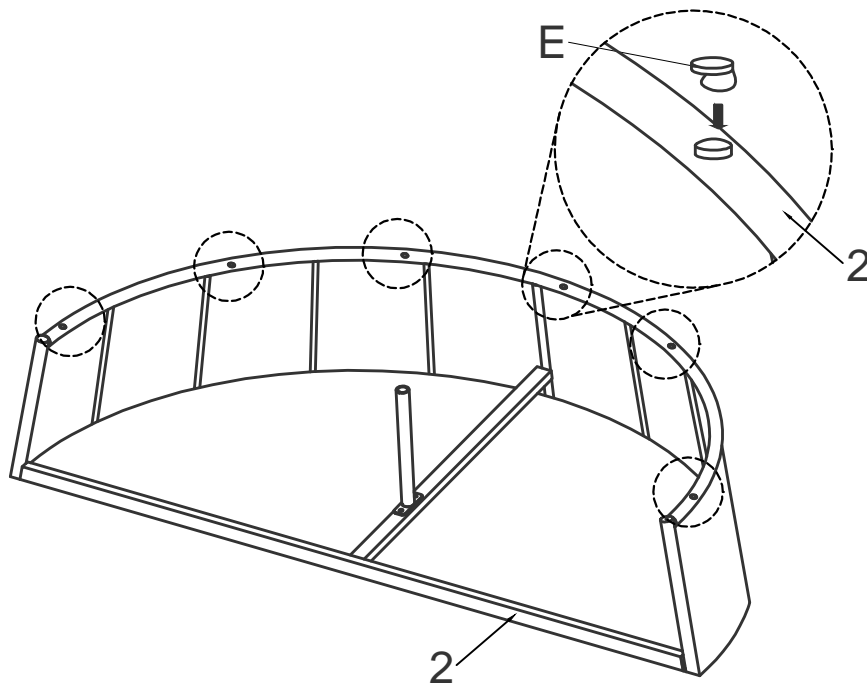


# Step 4:

## ITEMS REQUIRED

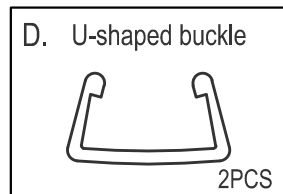


- Attach the non-slip mat (E) under the adjusting knob.

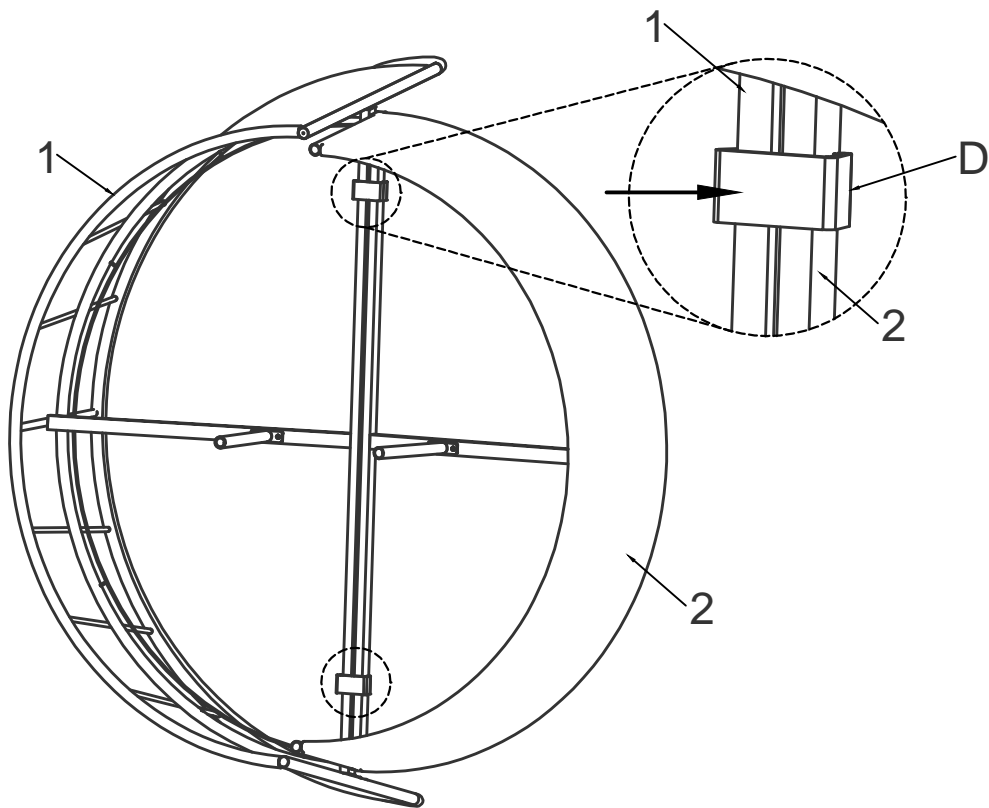


# Step 5:

## ITEMS REQUIRED




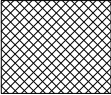
- Attach the step 1 to step 3 using U-shaped buckle (D) .
- You need two people to finish it .



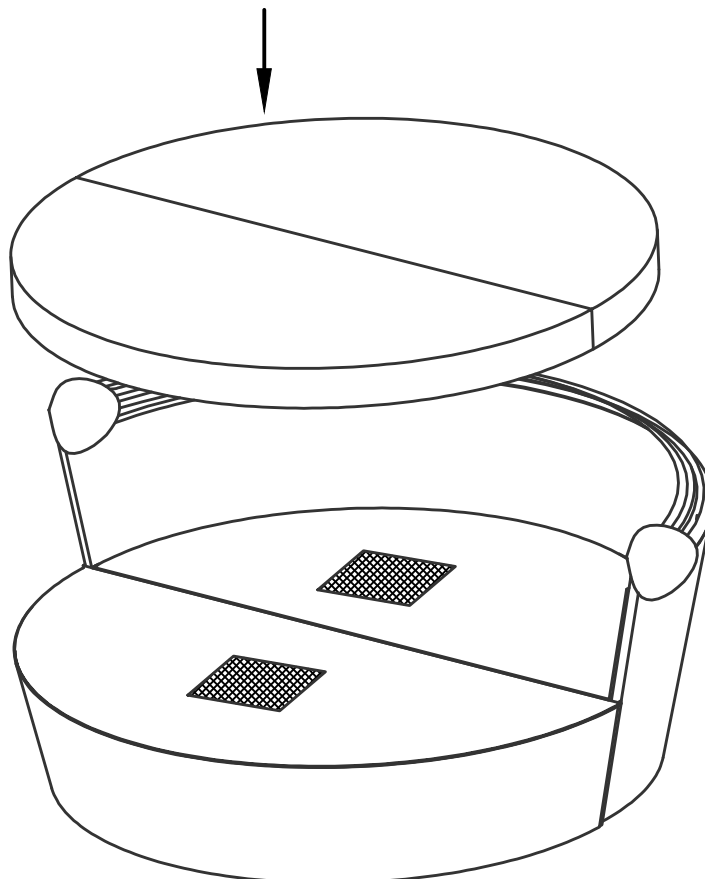


# Step 6:

## ITEMS REQUIRED

4. Cushion  1PCS	5. Non-slip mat  2PCS
---	---

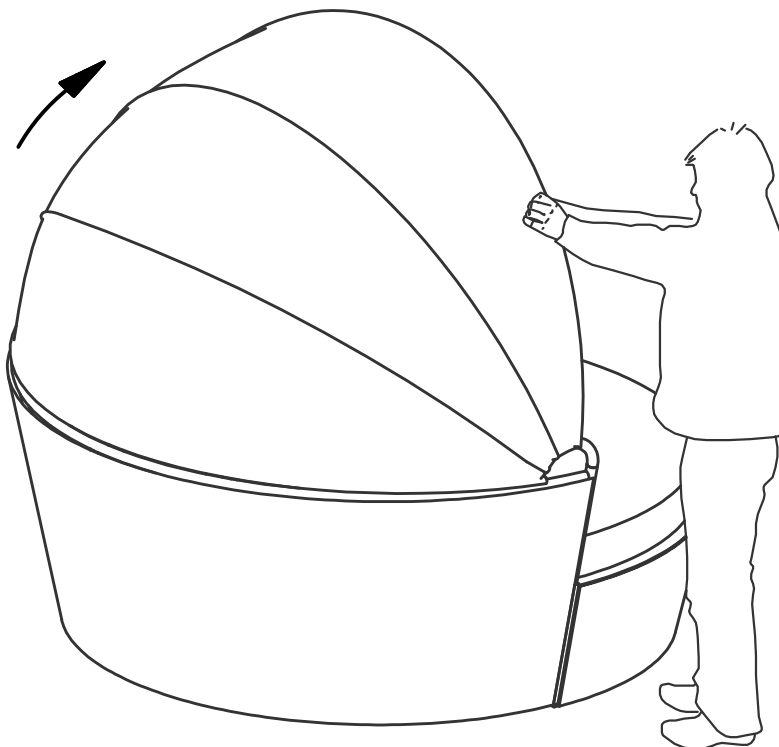
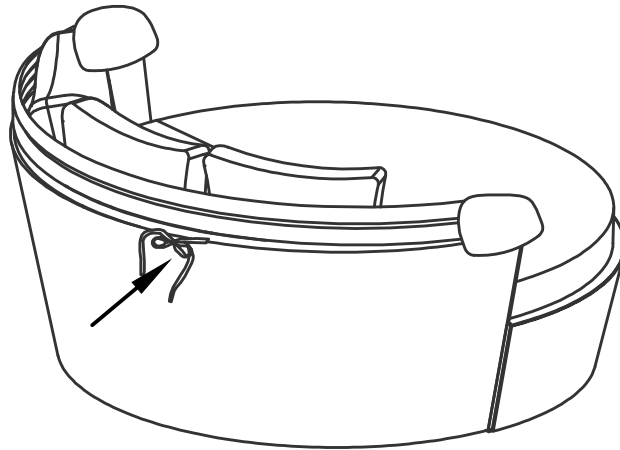
- Put the non-slip mat (5) under the cushion (4) .



## Step 7:

### ITEMS REQUIRED

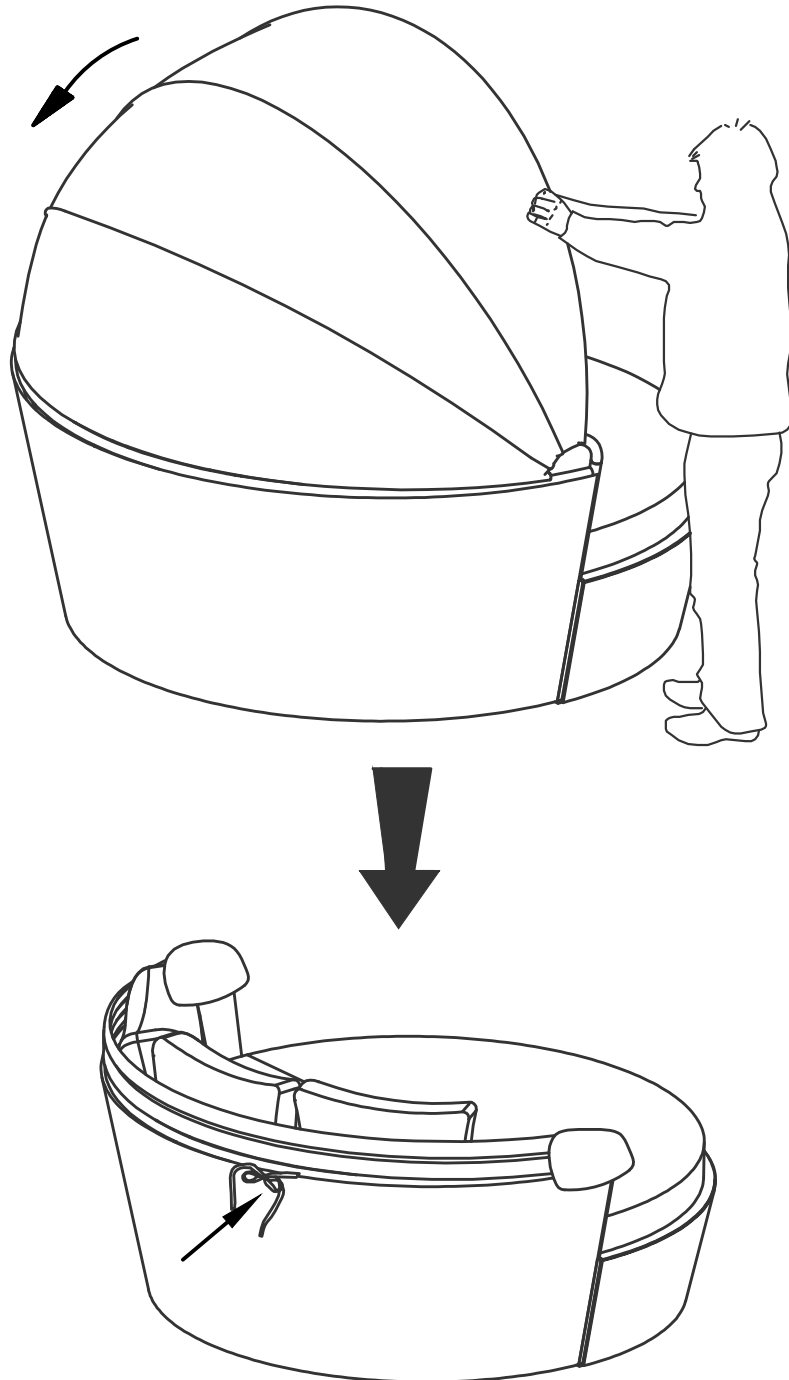
- Untie the rope, hold the shed pipe and let the cloth open freely, so as to avoid accidental injury caused by the sudden opening of the tent cloth.



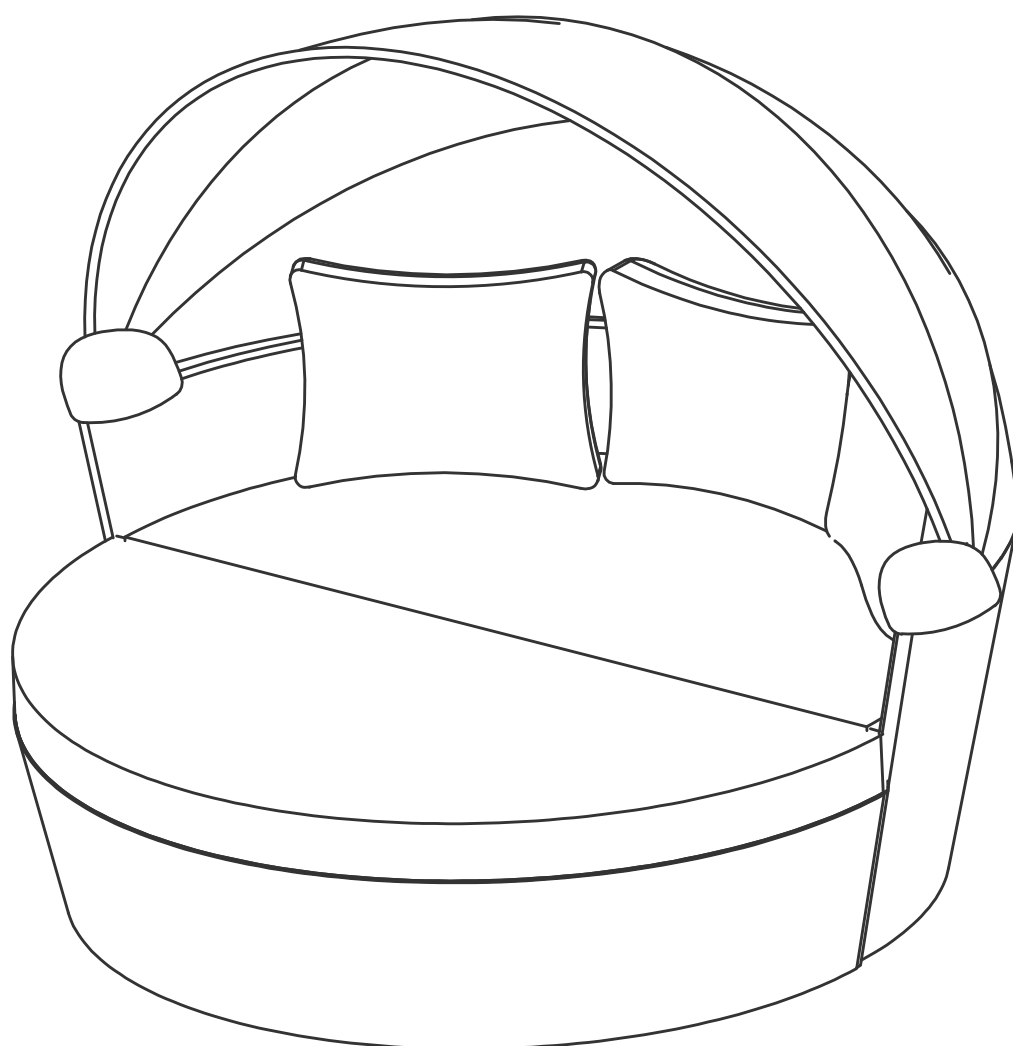
## Step 8:

### ITEMS REQUIRED

- Press the shed pipe to the lowest level and tie the pipe in a bow to avoid sudden opening of the pipe and injury.



**ASSEMBLY IS COMPLETE**



# Care and maintenance



---

## Cushions

- Direct exposure to the Sun's harmful UV rays is likely to cause rapid colour fading to fabrics. For best results we recommend avoiding exposure to direct sunlight
- To ensure product longevity it is recommended outdoor products are not left permanently exposed to the elements
- Spot clean using mild detergent and damp cloth. Dry flat in shade
- Do not unzip
- Do not put in washing machine
- Do not tumble dry
- Do not bleach
- Do not dry clean
- Cool iron only

## Metal

- Item is designed for use outdoors. However we do not recommend leaving this product outside when not in use. To preserve the life of this item, avoid prolonged exposure to the elements & store inside/under cover or use an outdoor cover.
- DO NOT allow the furniture to be left in the rain or left wet for extended periods of time.
- Wipe furniture Dry immediately after it becoming wet.
- DO NOT clean your furniture down with any harsh solvents, abrasives or chemicals.
- To remove dirt and grime, simply rinse with fresh water or periodically clean using a sponge and mild detergent solution as required

## Wicker

- Regular vacuuming and dusting of items is recommended.
- If weave on wicker becomes lacerated/damaged, do not pull on it as this may cause unravelling.
- Prolonged exposure to the elements may cause colour fading.
- To extend the life of your product the use of an Amart approved Outdoor Furniture Cover is highly recommended. Please contact store of purchase for further details.

## Glass

- If the glass is chipped or broken, stop using the product and consult place of purchase .
- Do not drop, drag or strike glass .
- Do not sit or stand upon the glass surface .
- Do not place very hot or cold items on the glass surface unless adequately thick table mats are used to prevent such items coming in contact with the glass .
- Do not place heavy objects on glass .
- Avoid scratching the glass or using as a chopping surface .
- Do not strike the glass with hard or pointed items .
- When cleaning the glass panels use a damp cloth with washing up liquid or soft soap if necessary. Do not use washing powders or any other substances containing abrasives since these may scratch the glass.